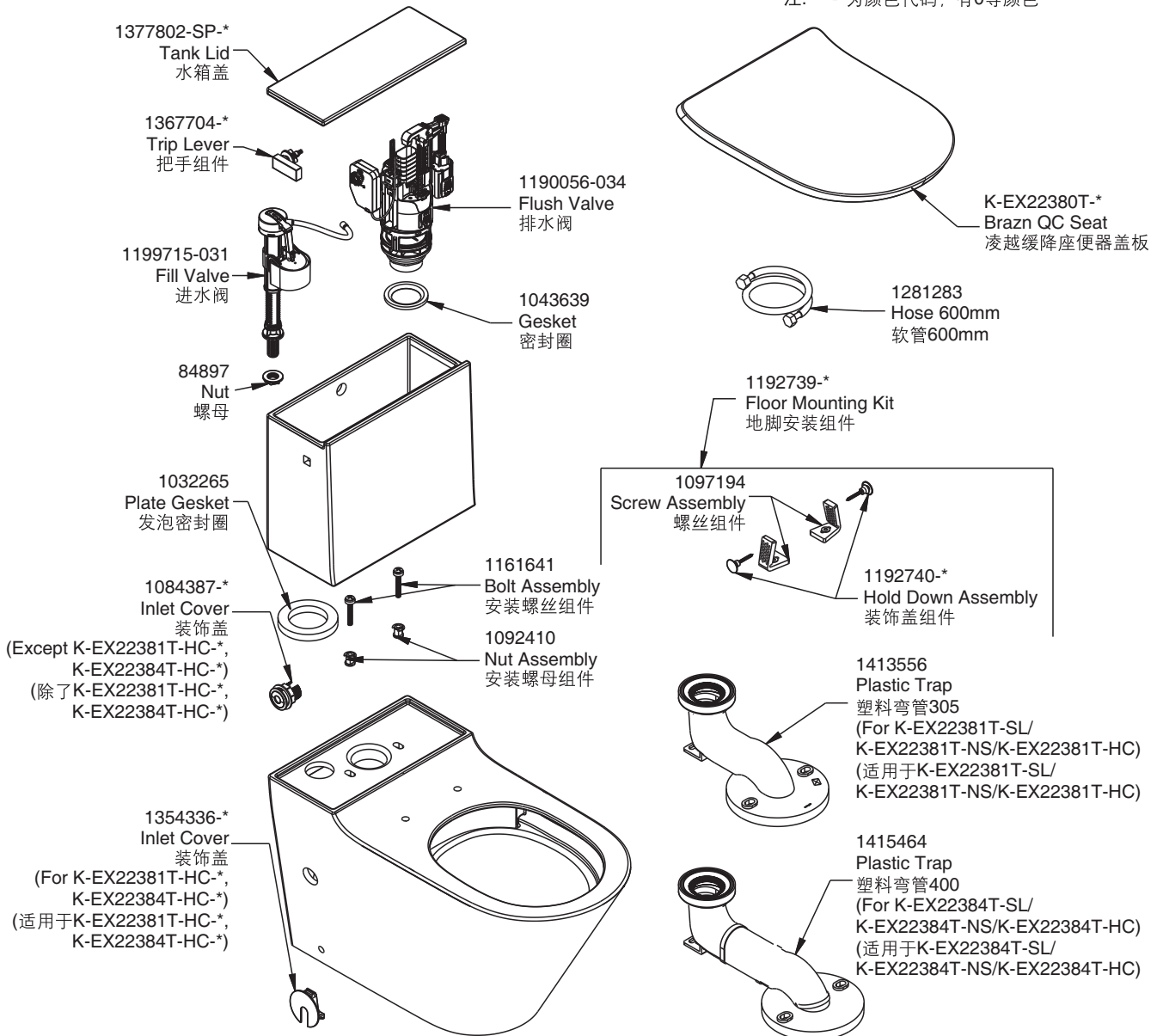


S-TRAP 305mm K-EX22381T-SL/K-EX22381T-NS/K-EX22381T-HC
 S-TRAP 400mm K-EX22384T-SL/K-EX22384T-NS/K-EX22384T-HC

Two-Piece Toilet 分体座便器	K-EX22381T-SL-*	K-EX22384T-SL-*	K-EX22381T-NS-*	K-EX22384T-NS-*	K-EX22381T-HC-*	K-EX22384T-HC-*
Bowl 缸体	K-EX22383T-*	K-EX22386T-*	K-EX22383T-*	K-EX22386T-*	K-EX22383T-HC-*	K-EX22386T-HC-*
Tank 水箱	K-EX22382T-ST3-*	K-EX22382T-ST4-*	K-EX22382T-NS3-*	K-EX22382T-NS4-*	K-EX22382T-HC3-*	K-EX22382T-HC4-*
Seat 盖板	K-EX22380T-*	K-EX22380T-*	/	/	/	/
Include Trap 含弯管	1413556(305mm)	1415464(400mm)	1413556(305mm)	1415464(400mm)	1413556(305mm)	1415464(400mm)

Note: -* is for color code which may represent 0
 注: -*为颜色代码, 有0等颜色



Color code (-*) or finish (-**) must be specified when ordering.

订购时请说明颜色代码(-*)或表面处理(-**)

Please refer to service parts page packed with seat for detailed seat service parts.

盖板的维修零件请详见盖板的维修零件图。